

Xerox Model 7601

Data Set Controller and Optional Features

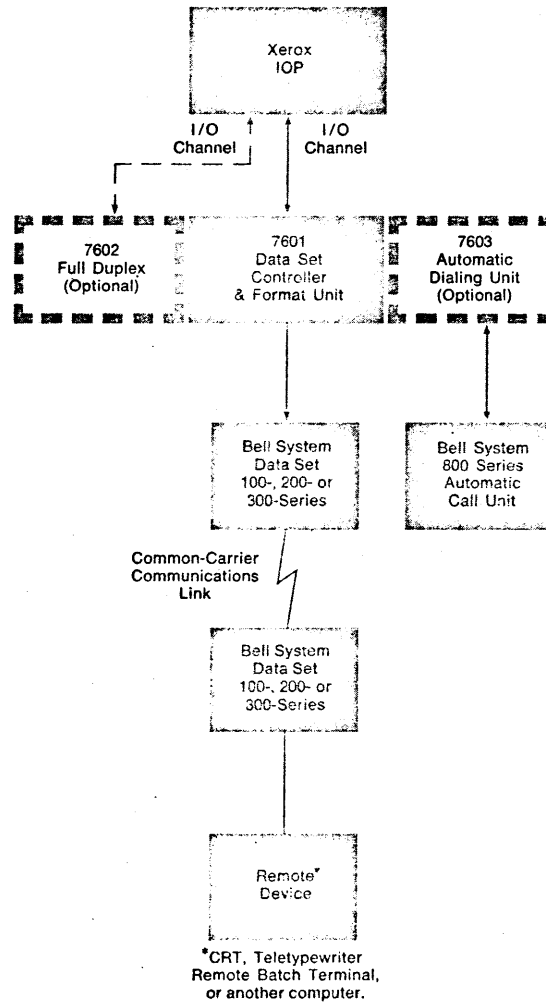
The Model 7601 Data Set Controller (DSC) permits any Xerox computer to connect to common-carrier private lines or switched message networks through Bell Telephone data sets of the 100, 200, or 300 series, or their equivalent. The Model 7601 is specifically designed for communication systems where the fundamental unit of information to be transmitted or received is a message rather than single characters. The DSC accommodates transmission rates from 45 bits per second to 230,400 bits per second in a variety of standard speeds and formats. The Model 7601 is code-independent (not restricted to USASCII*) format-independent (2-bit to 8-bit characters),

and permits implementation of virtually any checking scheme required. The Model 7601 can handle both synchronous and asynchronous data transmission.

Optional Features

Model 7602: Full-Duplex Feature permits full-duplex (two-way simultaneous) operation.

NOTE: The Model 7601 DSC requires one standard Input/Output (I/O) Channel for half-duplex operation; when the Full Duplex Feature (Model 7602) is installed, an additional standard I/O channel is required.



Xerox Model 7601

Data Set Controller and Optional Features

Model 7603: Automatic Dialing Feature controls Bell Telephone 800-series Automatic Calling Unit or its equivalent, to permit automatic dialing on the common carrier switched network under Xerox computer control.

Specifications

Physical Characteristics

The Model 7601 Data Set Controller, and any of its associated options, is installed in a Xerox I/O cabinet and is powered by standard I/O power supplies. Required interconnecting cables are included in standard installations at no additional charge, including a 50 ft. cable for connection to a data set.

Specifications for Communications Interface

Any one of the interface options described below may be selected for installation in the Model 7601 DSC, at no additional charge.

Bell System

Data Set	Mode	Format	Rate
103A, 103F	Asynchronous	5/7.5	60 to 100 wpm
		7/9	148 wpm
		8/10	150 wpm
		8/11	100 wpm
202C, 202D	Asynchronous	8/10	1200 or 1800 bits/sec
			**2000 or 2400 bits/sec
201A, 201B	Synchronous	N/A	**19.2K, 40.8K 50K, or 230.4K bits/sec

*United States of America Standard Code for Information Interchange.

**Clocking signals provided by common carrier data set.